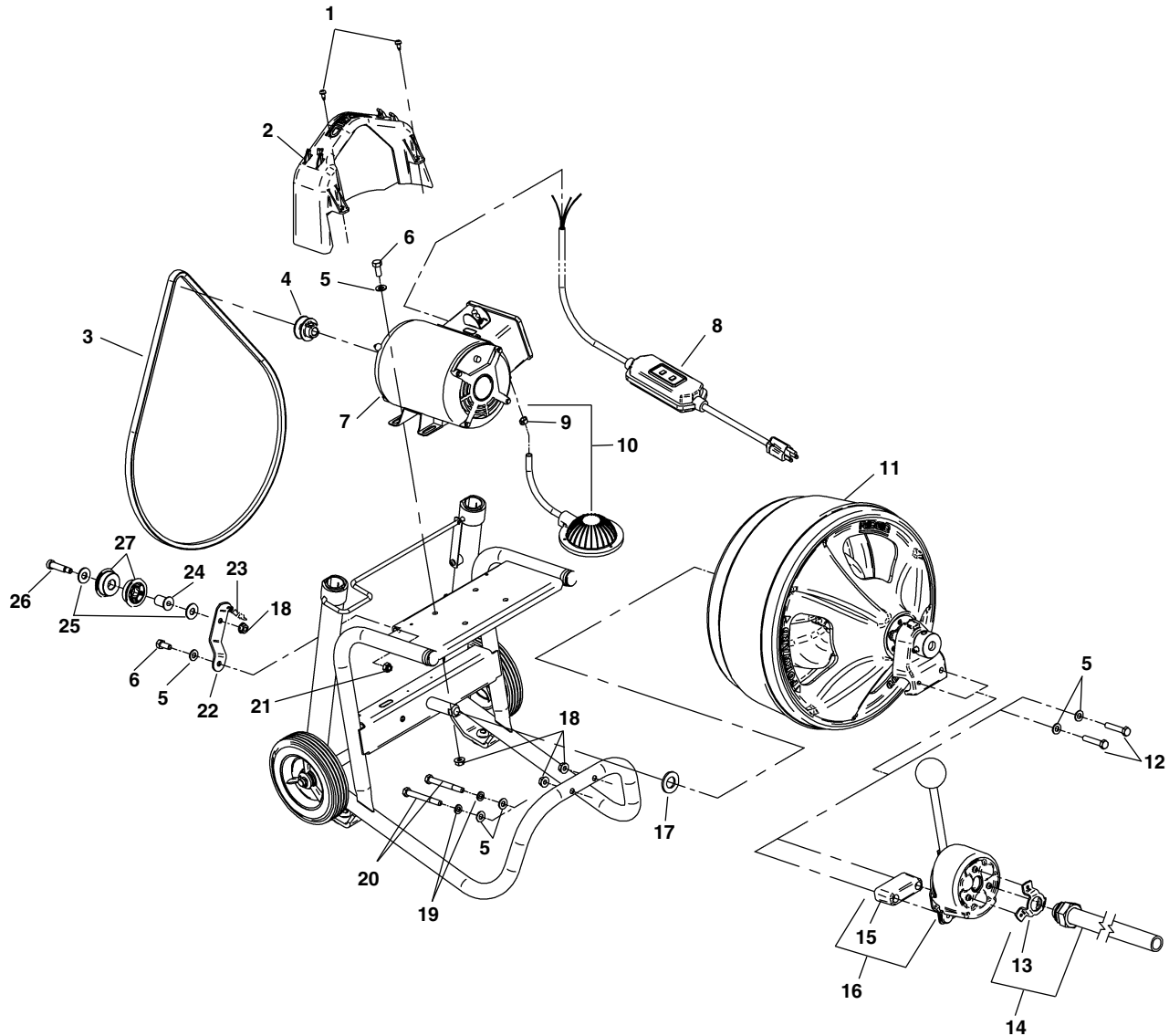


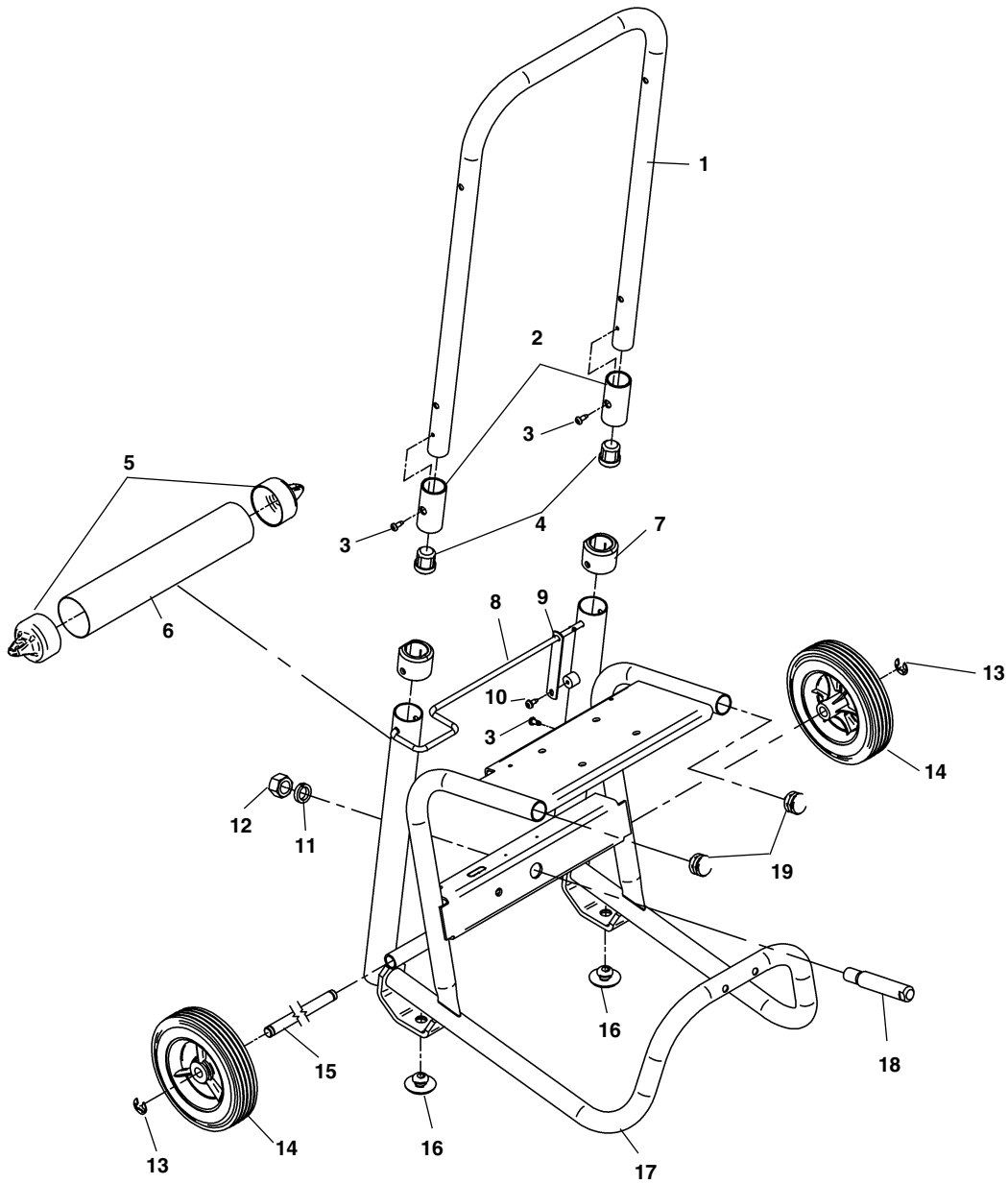
Main Components



**NOTE: Order parts by Catalog Number only.
DO NOT order by Reference Number.**

Ref. No.	Catalog No.	Description	Ref. No.	Catalog No.	Description
1	68937	Screw #10-24 (3)	12	91302	Hex Screw 5/16"-18 x 1 3/4" (2)
2	27483	Belt Guard	13	27603	Guide Hose Mounting Bracket
3	27498	V-Belt	14	26778	Guide Hose Assembly
4	27513	Pulley	15	27608	Spacer
5	60060	Flat Washer 5/16" (7)	16	26773	AUTOFEED® Assembly
6	61130	Hex Screw 5/16"-18 x 3/4" (5)	17	41790	Flat Washer
7	27568	Motor 120V 50Hz	18	27517	Lock Nut 5/16"
	27623	Motor 220/240V 50Hz	19	27613	Flat Washer 5/16"
	27583	Motor 220V 50Hz Europe	20	60737	Hex Screw 5/16"-18 x 3" (2)
8	50497	GFI Power Cord 120V 60Hz	21	27508	Hex Nut 5/16"
	15707	Power Cord 220V Export	22	27533	Pulley Bracket
	35692	Power Cord 240V Australia	23	27523	Spring
	65842	Power Cord 220V Europe	24	27493	Flange Bushing
9	35142	Hose Clamp	25	33082	Flat Washer 3/8" (2)
10	37962	Foot Switch	26	33627	Shoulder Screw 3/8" x 1 1/4"
11	27048	Drum Assembly	27	27488	Idler Pulley (2)

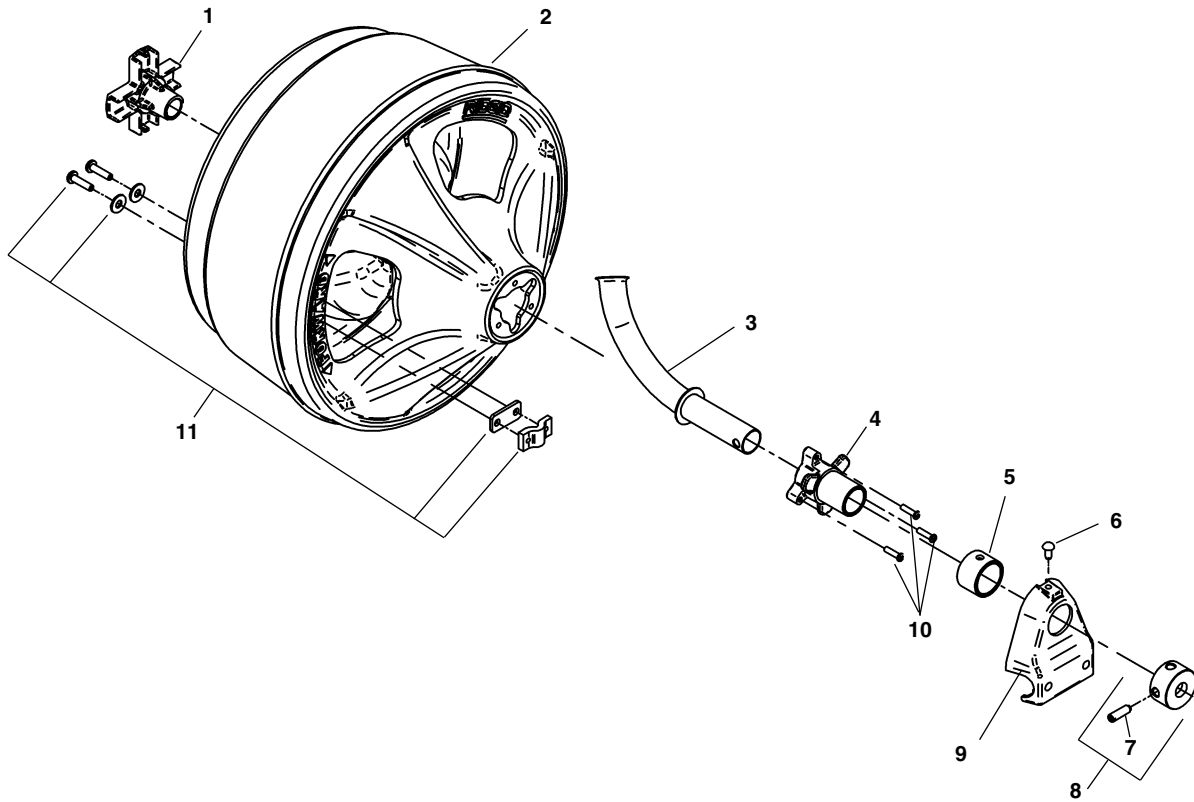
Frame Assembly



**NOTE: Order parts by Catalog Number only.
DO NOT order by Reference Number.**

Ref. No.	Catalog No.	Description	Ref. No.	Catalog No.	Description
1	27473	Handle	10	68937	Screw, #10-24 Pan Head (3)
2	27538	Handle Sleeve (2)	11	46682	Lock Washer 5/8"
3	45275	Screw, #10-24 x 1/2" Pan Head (3)	12	13617	Hex Nut 5/8" - 11
4	27503	Rubber Foot (2)	13	59810	Ring, Retaining (2)
5	27593	Cap (2)	14	60842	Wheel (2)
6	27588	Tube f/Operator's Manual	15	27518	Axle
7	27563	Bushing (2)	16	27553	Grommet
8	27453	Release Lever	17	27438	Frame
9	27458	Flat Spring	18	27463	Drum Shaft
			19	27558	Plug 1" (2)

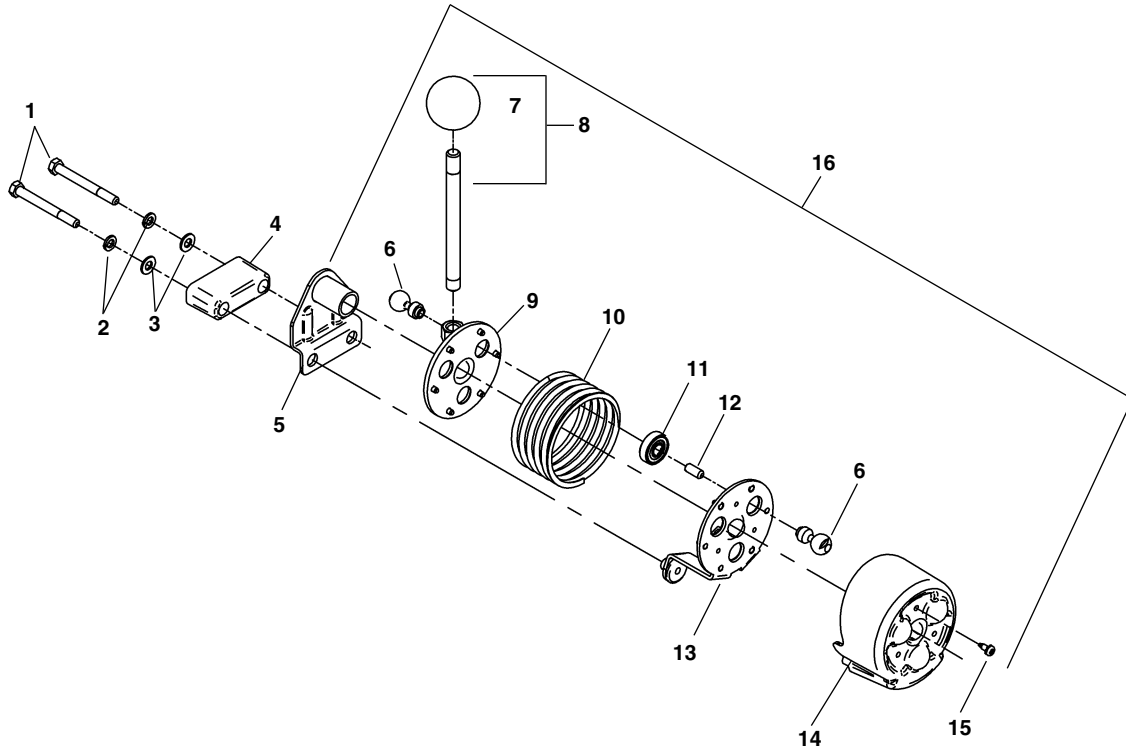
Drum Assembly



**NOTE: Order parts by Catalog Number only.
DO NOT order by Reference Number.**

Ref. No.	Catalog No.	Description
—	27048	Drum Assembly
1	27543	Sleeve Bushing
2	27528	Drum
3	27478	Guide Tube
4	27448	Guide Tube Bushing
5	27468	Sleeve Bushing
6	27548	Drive Screw
7	37912	Set Screw $\frac{5}{16}$ " x 1"
8	37912	Set Collar Assembly
9	27443	Bearing Support
10	27578	Screw #8 - 16 x $\frac{3}{4}$ " (3)
11	56147	Cable Clamp Assembly

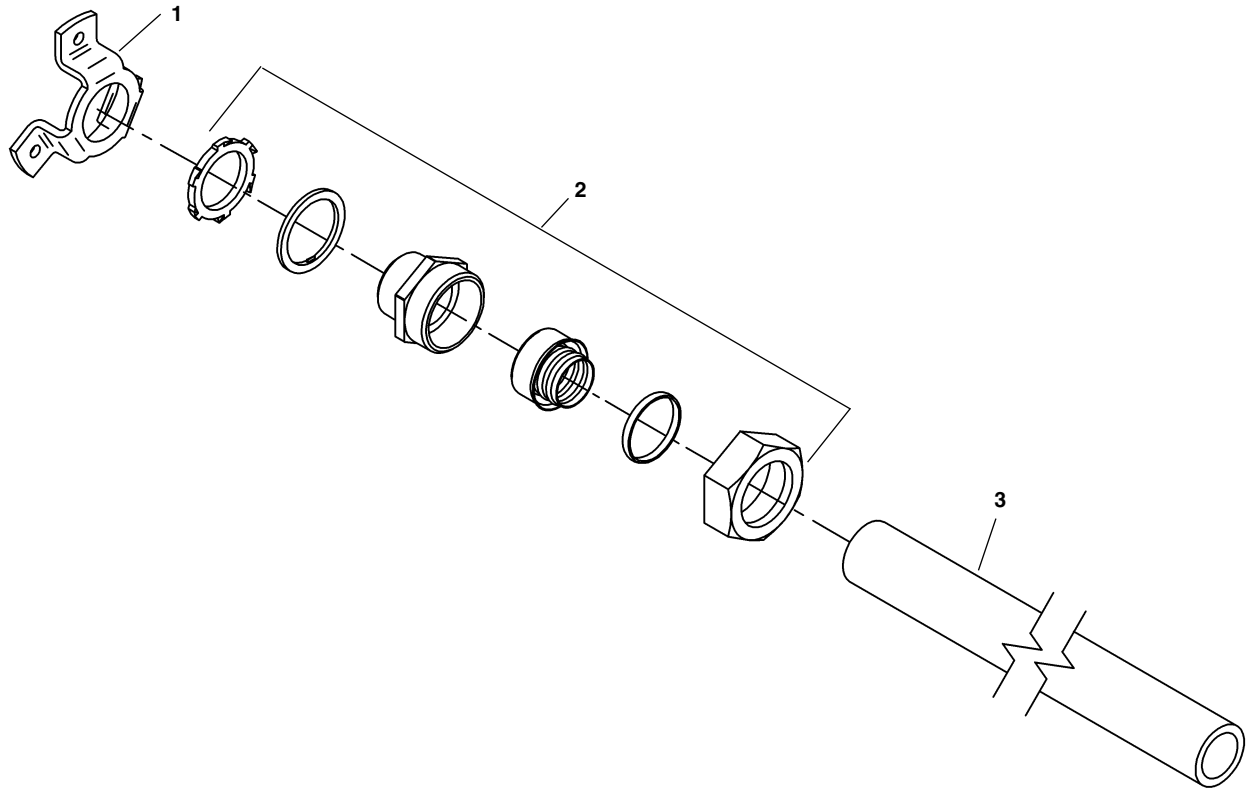
AUTOFEED® Assembly



**NOTE: Order parts by Catalog Number only.
DO NOT order by Reference Number.**

Ref. No.	Catalog No.	Description
—	26773	AUTOFEED Assembly K-400
1	60737	Hex Screw $\frac{5}{16}$ " - 18 x 3" (2)
2	60080	Lock Washer $\frac{5}{16}$ "
3	54167	Flat Washer $\frac{5}{16}$ "
4	27608	Spacer
5	87627	Mounting Bracket
6	87607	Roller Shaft (6)
7	59585	Ball for Handle
8	93630	Clutch Handle
9	87622	Back Plate
10	87617	Spring
11	87617	Spring
12	41502	Set Screw $\frac{5}{16}$ " - 18 x $\frac{3}{4}$ " (3)
13	87612	Front Plate
14	87632	AUTOFEED Cover
15	27613	Screw 10 - 24 x $\frac{1}{2}$ " (3)
16	87337	AUTOFEED Assembly

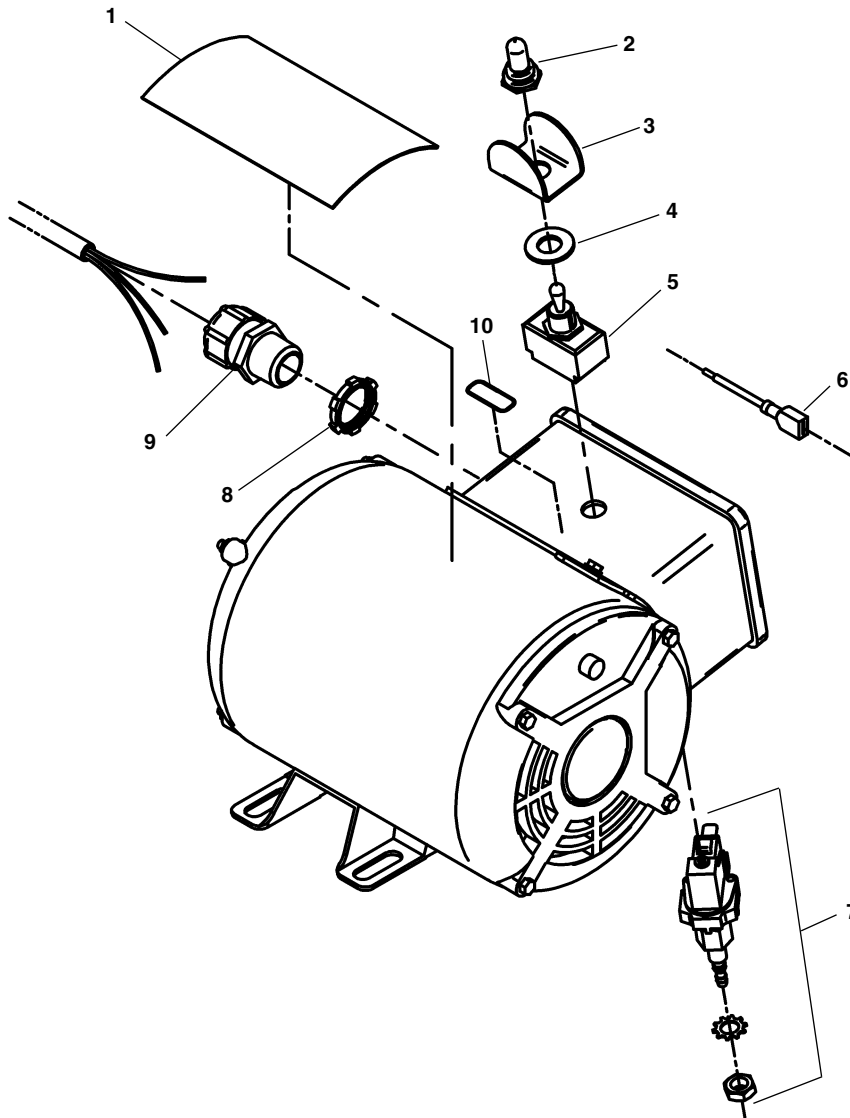
Guide Hose Assembly



**NOTE: Order parts by Catalog Number only.
DO NOT order by Reference Number.**

Ref. No.	Catalog No.	Description
—	26778	Guide Hose Assembly
1	27603	Guide Hose Bracket
2	72477	Guide Hose Connector
3	27598	Hose 2'

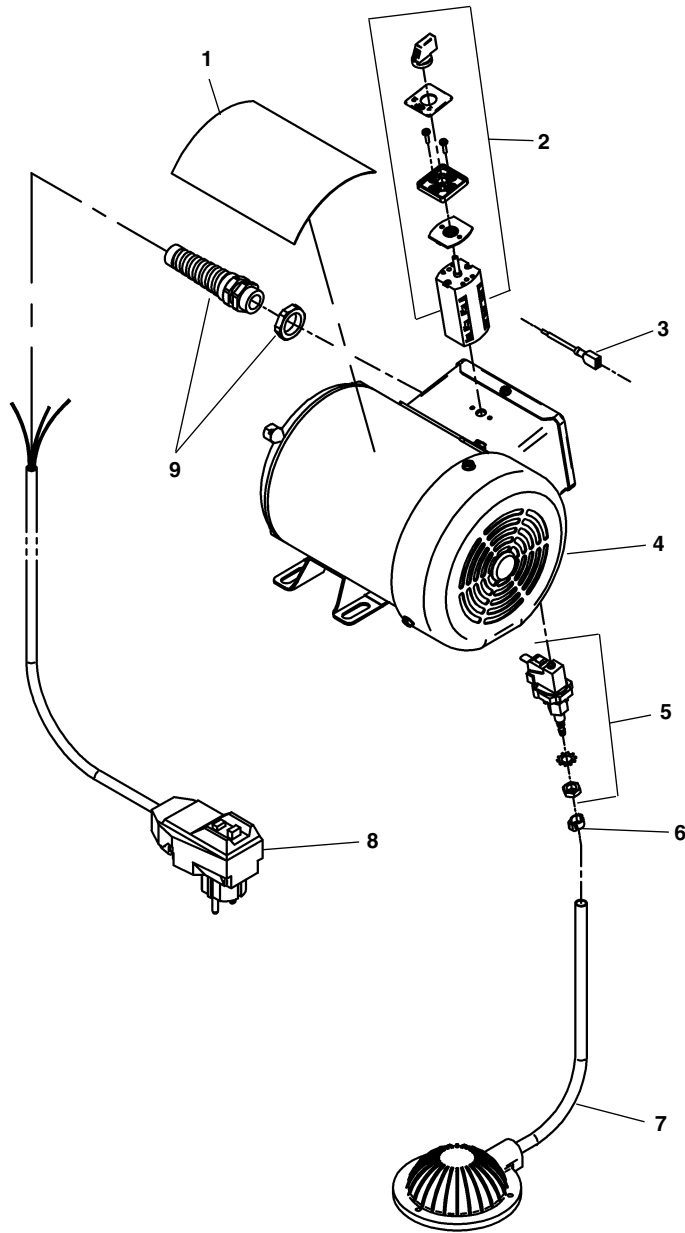
Motor Components



**NOTE: Order parts by Catalog Number only.
DO NOT order by Reference Number.**

Ref. No.	Catalog No.	Description
—	27568	120V 60Hz Motor Assembly
—	27623	220/240V 50Hz Motor Assembly
1	27618	Safety Decal
2	23507	Rubber Boot
3	61490	Switch Guard
4	23512	Rubber Washer
5	41817	Switch
6	44877	Lead Wire Assembly
7	32992	Air Switch
8	65642	Lock Nut
9	96265	Strain Relief
10	23687	FOR/REV Label

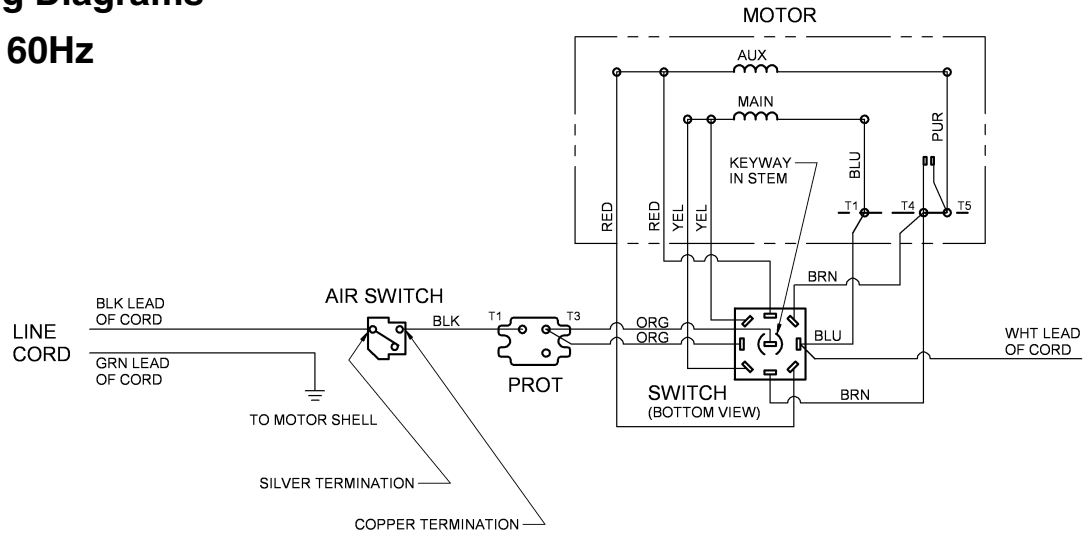
Motor Components - 220V - 50Hz Europe



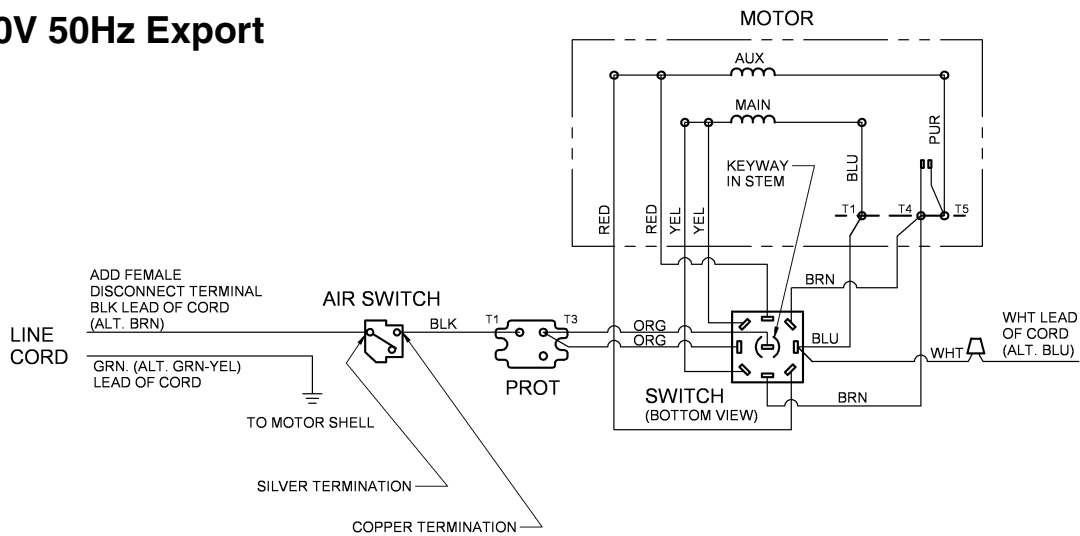
**NOTE: Order parts by Catalog Number only.
DO NOT order by Reference Number.**

Ref. No.	Catalog No.	Description
1	27618	Safety Decal
2	44862	Switch
3	44877	Lead Wire Assembly
4	27583	220V 50Hz Motor Assy.
5	32992	Air Switch
6	35142	Hose Clamp
7	37967	Foot Switch Assembly
8	39562	220V Power Cord (Europe)
9	27187	Strain Relief

Wiring Diagrams
120V 60Hz



220/240V 50Hz Export



220V 50Hz Europe

